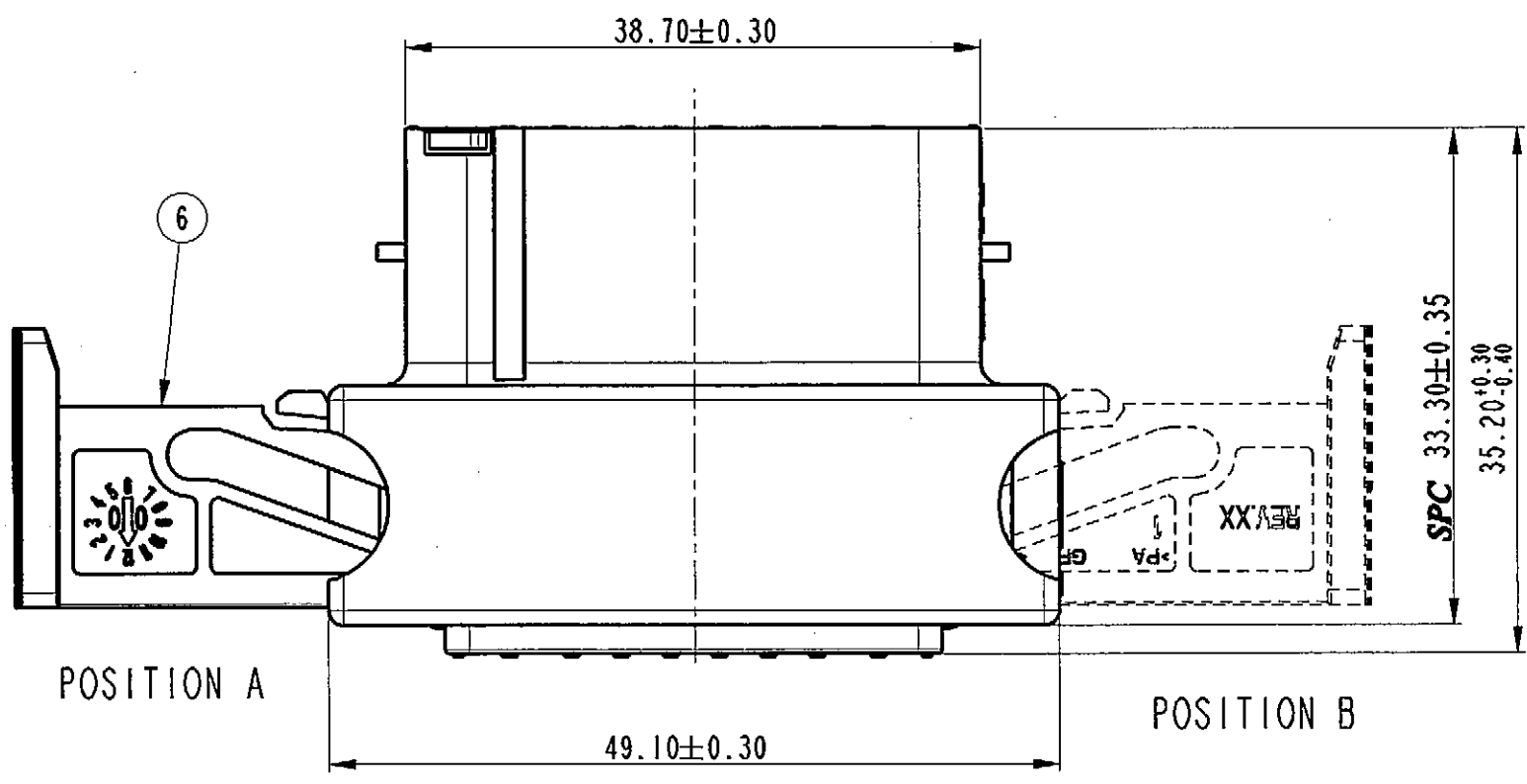
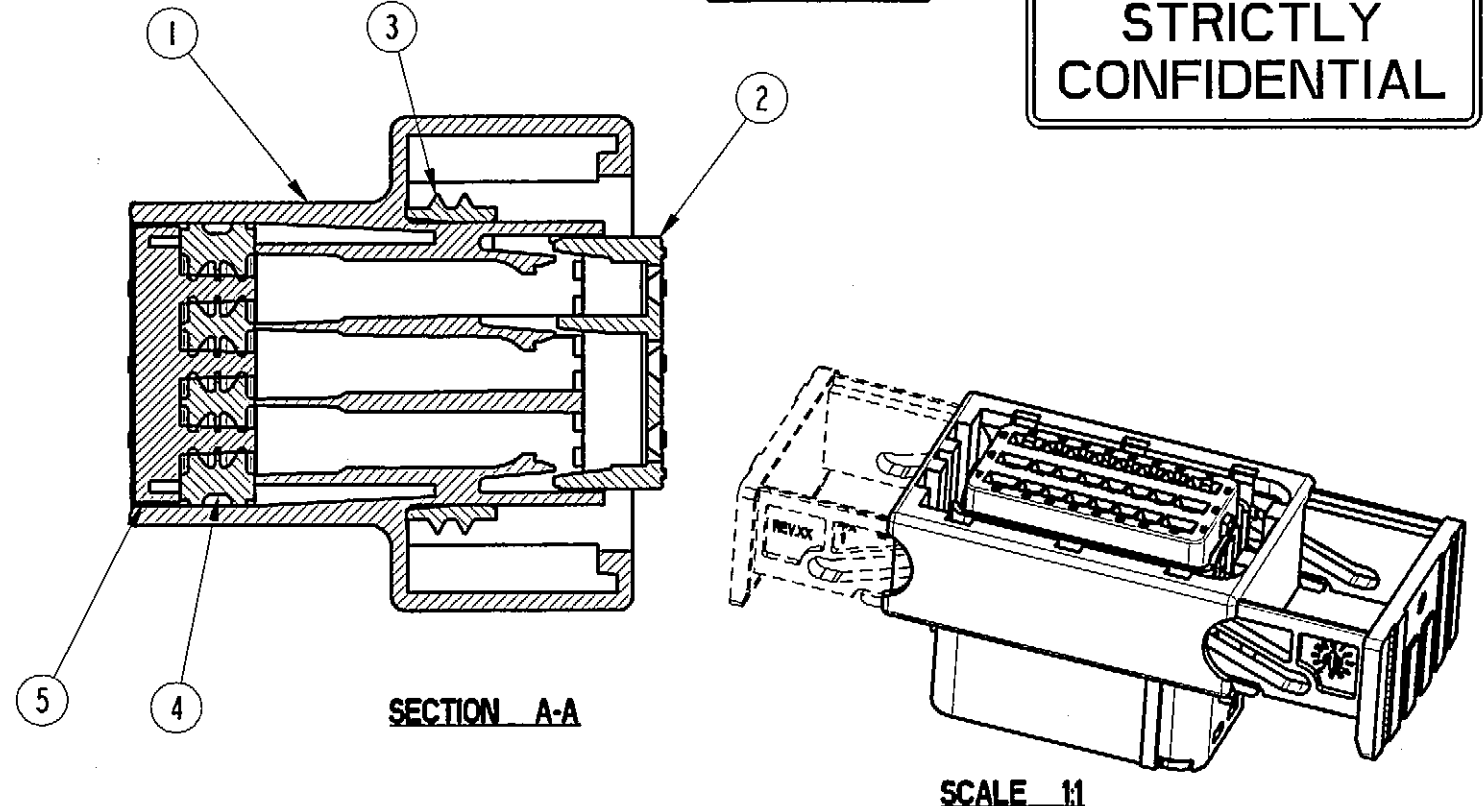
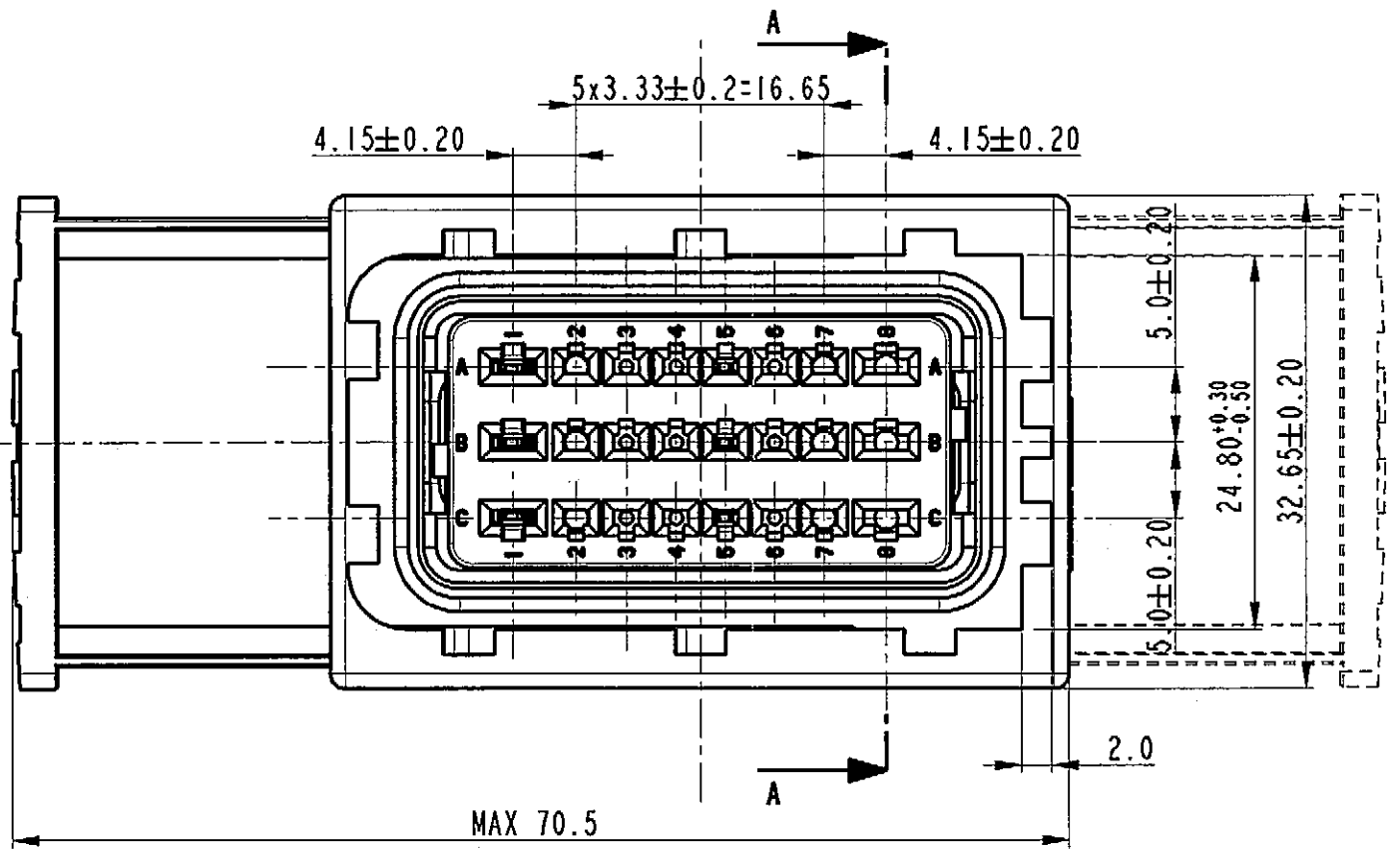


**STRICTLY CONFIDENTIAL**



N°	DESCRIPTION	COLOR	MATERIAL
1	HOUSING	BLACK-BROWN BLUE-GREY	SEE SHEET 2/3-3/3
2	SEC. LOCK	YELLOW	PBT
3	GASKET	RED	SILICON
4	GROMMET	RED, GREEN or BLUE	SILICON
5	GROMMET STOP	BLACK-BROWN	PBT
6	SLED	VIOLET or GREY	PA 6.6

**SPC Statistical Process Control**

ECN-NO. NUMERO -ECN	DATE DATA	REVISION REVISIONE	POSITION POSIZIONE	CHANGE DESCRIPTION DESCRIZIONE MODIFICA	DRAWN BY DISEGNATORE	CHK. BY CONTROLLATO	APPR. BY APPROVATO
ECN 17/04	28/05/04	07		See ECN Documentation			
ECN 10/04	17/02/04	06		ADDED 3 CATALOG NUMBERS ( SEE SHEET 3 )			R.R.G.S.
ECN 41/03	05/11/03	05		RELEASED FOR PRODUCTION			R.R.G.S.
	28/10/03	04		UPDATED DRAWING			R.R.G.S.
	01/09/03	03		MODIFIED MATERIAL FOR THE FOLLOWING P/N 211PC249SX020 - 211PC249SX023 - 1211PC249SX033 WAS PA6 GF 15 PBT GF			R.R.G.S.
	28/05/03	02		ADDED P/N 211PC249SX043			R.R.G.S.
	21/03/03	01		UPDATED DRAWING			R.R.G.S.

**CODING TABLE**  
Tavola di codifica

**TOLERANCES  $\pm 0.2$**   
Tolleranze

**FRONT VIEW**  
Vista frontale

■: FULL  
Pieno

COLOR	BLACK	GREY	BROWN	BLUE
Dimensions	$8.0$ , $2.0$ , $8.4$	$8.4$ , $6.4^{+0.2}$	$4.0$ , $4.2$ , $3.8$ , $0.2 \pm 0.1$	$4.2$ , $4.0$ , $3.8$ , $0.2 \pm 0.1$
Internal Dimensions	$8.4$	$8.0$	$4.2$ , $4.0$	$4.2$ , $4.0$

PRODUCT SPEC. SPEC. DI PRODOTTO: --

PACKAGING SPEC. SPEC. DI IMBALLAGGIO: --

APPLICATION SPEC. SPEC. DI APPLICAZIONE: --

THIS DRAWING AND ALL OTHER INFORMATION CONTAINED THEREIN IS PROPRIETARY AND THE PROPERTY OF FCI. THIS DRAWING MAY NOT BE COPIED, REPRODUCED OR DISCLOSED TO ANY THIRD PARTY WITHOUT THE EXPRESSED WRITTEN PERMISSION OF FCI. © FCI April 1999

QUESTO DISEGNO ED OGNI ALTRA INFORMAZIONE IN ESSO CONTENUTA SONO ESCLUSIVI E DI PROPRIETA' DELLA FCI. QUESTO DISEGNO NON PUO' ESSERE COPIATO, RIPRODOTTO O DIVULGATO A TERZI SENZA L'ESPRESSO CONSENSO SCRITTO DELLA FCI. © FCI April 1999

TOLERANCES TOLLERANZE:  $\pm 0.2mm. / \pm 0.5^\circ$

MATERIAL: MATERIALE: SEE TABLE

CAD SYSTEM: pro / eng.

ISO PROJECTION PROIEZIONE ISO: A

DIMENSION IN MILLIMETERS DIMENSIONI IN MILLIMETRI: A3

DO NOT SCALE DRAWING DISEGNO FUORI SCALA

LOC. CODE NAZIONALITA': I

DRAWN BY DATE NAME TITLE: 09/01/03 R. Rampone 24 WAYS SECTIONING ASSEMBLY FEMALE HOLDER

CHECKED BY: 09/01/03 G. Stella

APPROVED BY: ESR NO. NUMERO ESR: ITA2043 FILE NAME HOME FILE: FSC 309602

DRAWING NUMBER NUMERO DISEGNO: FSC 309602

CAT. NO. NUMERO CAT.: SEE TABLE ON SHEET 2 of 3 AND 3 of 3

SHEET FOGLIO: 1 of 3

SCALE SCALA: 2:1

PLEASE COPY WHEN IN RED

**STRICTLY CONFIDENTIAL**

**COMPONENTS**

P/N ASSEMBLY	HOUSING	HOUSING MATERIAL	SEC. LOCK	GASKET	GROMMET "RED"	GROMMET "GREEN"	GROMMET "BLUE"	GROMMET STOP "France"	GROMMET STOP "Italy"	SLED VIOLET "RENAULT"	SLED VIOLET "NEUTRAL" POSITION A	SLED VIOLET "NEUTRAL" POSITION B	SLED "GREY"	DETAIL X
2IIPC249S0018	Black	PA 6	Yes	Yes	Yes			Yes			Yes			
2IIPC249S1018	Brown	PA 6	Yes	Yes	Yes			Yes			Yes			
2IIPC249S6018	Blue	PA 6	Yes	Yes	Yes			Yes			Yes			
2IIPC249S8018	Grey	PA 6	Yes	Yes	Yes			Yes			Yes			
2IIPC249S0031	Black	PA 6	Yes	Yes	Yes			Yes				Yes		
2IIPC249S1031	Brown	PA 6	Yes	Yes	Yes			Yes				Yes		
2IIPC249S6031	Blue	PA 6	Yes	Yes	Yes			Yes				Yes		
2IIPC249S8031	Grey	PA 6	Yes	Yes	Yes			Yes				Yes		
2IIPC249S0020	Black	PBT	Yes											
2IIPC249S1020	Brown	PBT	Yes											
2IIPC249S6020	Blue	PBT	Yes											
2IIPC249S8020	Grey	PBT	Yes											
2IIPC249S0023	Black	PBT	Yes	Yes	Yes				Yes					
2IIPC249S1023	Brown	PBT	Yes	Yes	Yes				Yes					
2IIPC249S6023	Blue	PBT	Yes	Yes	Yes				Yes					
2IIPC249S8023	Grey	PBT	Yes	Yes	Yes				Yes					
2IIPC249S0033	Black	PBT	Yes	Yes		Yes			Yes					
2IIPC249S1033	Brown	PBT	Yes	Yes		Yes			Yes					
2IIPC249S6033	Blue	PBT	Yes	Yes		Yes			Yes					
2IIPC249S8033	Grey	PBT	Yes	Yes		Yes			Yes					
2IIPC249S0043	Black	PA 6	Yes	Yes			Yes	Yes						
2IIPC249S1043	Brown	PA 6	Yes	Yes			Yes	Yes						
2IIPC249S6043	Blue	PA 6	Yes	Yes			Yes	Yes						
2IIPC249S8043	Grey	PA 6	Yes	Yes			Yes	Yes						

TAYLOR COPY WHEN IN RED

ECN 17/04	28/05/04	07	See ECN Documentation
ECN 10/04	17/02/04	06	ADDED 3 CATALOG NUMBERS ( SEE SHEET 3 ) R.R.G.S.
ECN 41/03	05/11/03	05	RELEASED FOR PRODUCTION R.R.G.S.
	28/10/03	04	UPDATED DRAWING R.R.G.S.
	01/09/03	03	MODIFIED MATERIAL FOR THE FOLLOWING P/N 2IIPC249S020 - 2IIPC249S023 - 12IIPC249S033 WAS PA6 GF 1S PBT GF R.R.G.S.
	28/05/03	02	ADDED P/N 2IIPC249S043 R.R.G.S.
	21/03/03	01	UPDATED DRAWING R.R.G.S.
ECN-NO. NUMERO - ECH	DATE DATA	REVISION REVISIONE	POSITION POSIZIONE
			CHANGE DESCRIPTION DESCRIZIONE MODIFICA
			DRAWN BY DISEGNATORE
			CHK. BY CONTROLLATO
			APPR. BY APPROVATO

PRODUCT SPEC. SPEC. DI PRODOTTO    PACKAGING SPEC. SPEC. DI IMBALLAGGIO    APPLICATION SPEC. SPEC. DI APPLICAZIONE    THIS DRAWING AND ALL OTHER INFORMATION CONTAINED THEREIN IS PROPRIETARY AND THE PROPERTY OF FCI. This drawing may not be copied, reproduced or disclosed to any third party without the expressed written permission of FCI. © FCI April 1999

QUESTO DISEGNO ED OGNI ALTRA INFORMAZIONE IN ESSO CONTENUTA SONO ESCLUSIVI E DI PROPRIETA' DELLA FCI. Questo disegno non puo' essere copiato, riprodotto o divulgato a terzi senza l' espresso consenso scritto della FCI. © FCI April 1999

TOLERANCES TOLLERANZE: ± 0.2mm. / ± 0.5°

MATERIAL: MATERIALE: SEE TABLE

COLOUR: COLORE:    TOOL NO.    SURFACE FINISH FINITURA SUPERFICIALE

DO NOT SCALE DRAWING DISEGNO FUORI SCALA    LOC. CODE NAZIONALITA' I

DRAWN BY DISEGNATORE: 09/01/03 R. Rampone    TITLE DESCRIZIONE: 24 WAYS SECTIONING ASSEMBLY FEMALE HOLDER

CHECKED BY CONTROLLATO: 09/01/03 G. Stella

APPROVED BY APPROVATO:    ESR NO. NUMERO ESR: ITA2043    FILE NAME NOME FILE: FSC 309602

DRAWING NUMBER NUMERO DISEGNO: FSC 309602    SHEET FOGLIO: 2 of 3

CAT. NO. NUMERO CAT.: SEE TABLE    SCALE SCALA: 2:1

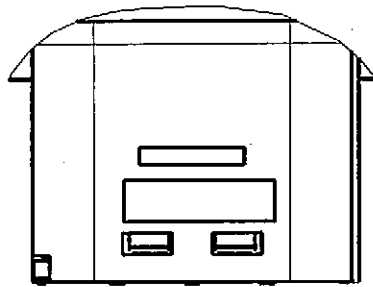
**FCI**    ISO PROJECTION PROIEZIONE ISO: pro / eng.    DIMENSION IN MILLIMETERS DIMENSIONI IN MILLIMETRI: A3

**STRICTLY CONFIDENTIAL**

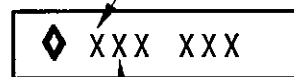
**COMPONENTS**

P/N ASSEMBLY	HOUSING	HOUSING MATERIAL	SEC. LOCK	GASKET	GROMMET "RED"	GROMMET "GREEN"	GROMMET "BLUE"	GROMMET STOP France	GROMMET STOP Italy	SLED VIOLET "RENAULT"	SLED VIOLET "NEUTRAL" POSITION A	SLED VIOLET "NEUTRAL" POSITION B	SLED "GREY"	DETAIL X
2IIPC249S0005	Black	PBT	Yes	Yes	Yes			Yes						Yes
2IIPC249SI005	Brown	PBT	Yes	Yes	Yes			Yes						Yes
2IIPC249S6005	Blue	PBT	Yes	Yes	Yes			Yes						Yes
2IIPC249S8005	Grey	PBT	Yes	Yes	Yes			Yes						Yes
2IIPC249S0053	Black	PBT	Yes	Yes		Yes			Yes			Yes		
2IIPC249SI053	Brown	PBT	Yes	Yes		Yes			Yes			Yes		
2IIPC249S8053	Grey	PBT	Yes	Yes		Yes			Yes			Yes		

**DETAIL "X"**  
 (Specific only for Renault Version)



Code Renault



Text height 2 mm in relief 0.1 mm

ECN 17/04	28/05/04	07		See ECN Documentation				
ECN 10/04	17/02/04	06		ADDED 3 CATALOG NUMBERS ( SEE SHEET 3 )	R.R.	G.S.		
ECN 41/03	05/11/03	05		RELEASED FOR PRODUCTION	R.R.	G.S.		
	28/10/03	04		UPDATED DRAWING	R.R.	G.S.		
	01/09/03	03		MODIFIED MATERIAL FOR THE FOLLOWING P/N 2IIPC249SX020 - 2IIPC249SX023 - 12IIPC249SX033 WAS PA6 GF 15 PBT GF	R.R.	G.S.		
	28/05/03	02		ADDED P/N 2IIPC249SX043	R.R.	G.S.		
	21/03/03	01		UPDATED DRAWING	R.R.	G.S.		
ECN-NO. NUMERO - ECH	DATE DATA	DD / MM / YY	REVISION REVISIONE	POSITION POSIZIONE	CHANGE DESCRIPTION DESCRIZIONE MODIFICA	DRAWN BY DISEGNATORE	CHK. BY CONTROLLATO	APPR. BY APPROVATO
PRODUCT SPEC. SPEC. DI PRODOTTO	PACKAGING SPEC. SPEC. DI IMBALLAGGIO	APPLICATION SPEC. SPEC. DI APPLICAZIONE	THIS DRAWING AND ALL OTHER INFORMATION CONTAINED THEREIN IS PROPRIETARY AND THE PROPERTY OF FCI. This drawing may not be copied, reproduced or disclosed to any third party without the expressed written permission of FCI. © FCI April 1999		QUESTO DISEGNO ED OGNI ALTRA INFORMAZIONE IN ESSO CONTENUTA SONO ESCLUSIVI E DI PROPRIETA' DELLA FCI. Questo disegno non può essere copiato, riprodotto o divulgato a terzi senza l'espresso consenso scritto della FCI. © FCI April 1999			
TOLERANCES TOLLERANZE		MATERIAL : MATERIALE :		SURFACE FINISH FINITURA SUPERFICIALE		CAD SYSTEM		
± 0.2mm. / ±0.5°		SEE TABLE		-		A FCI		
DO NOT SCALE DRAWING DISEGNO FUORI SCALA		COLOUR : COLORE :		TOOL NO.		ISO PROJECTION PROIEZIONE ISO		
		-		-		pro / eng.		
		LOC. CODE NAZIONALITA'		DRAWING NUMBER NUMERO DISEGNO		DIMENSION IN MILLIMETERS DIMENSIONI IN MILLIMETRI		
		-		FSC 309602		A3		
DRAWN BY DISEGNATORE		NAME NOME		TITLE DESCRIZIONE		SHEET FOGLIO		
09/01/03		R. Rampone		24 WAYS SECTIONING ASSEMBLY FEMALE HOLDER		3 of 3		
CHECKED BY CONTROLLATO		09/01/03		G. Stella		3		
APPROVED BY APPROVATO		ESR NO. NUMERO ESR		FILE NAME NONE FILE		SCALE SCALA		
		ITA2043		FSC 309602		1:1		

TRACED COPY WHEN IN RED

# Mouser Electronics

Authorized Distributor

Click to View Pricing, Inventory, Delivery & Lifecycle Information:

## Delphi Connection Systems:

[211PC249S0005](#) [211PC249S0018](#) [211PC249S0020](#) [211PC249S0020-B1](#) [211PC249S0023](#) [211PC249S0031](#)  
[211PC249S0033-B1](#) [211PC249S1020](#) [211PC249S1020-B1](#) [211PC249S1031](#) [211PC249S1033](#) [211PC249S1033-B1](#)  
[211PC249S6020-B1](#) [211PC249S6033](#) [211PC249S6033-B1](#) [211PC249S8005](#) [211PC249S8020](#) [211PC249S8020-](#)  
[B1](#) [211PC249S8023](#) [211PC249S8033](#) [211PC249S8033-B1](#) [211PC249S1033-B](#) [211PC249S6031](#) [211PC249S6031-](#)  
[B](#) [211PC249S0023-B](#) [211PC249S8033-B](#) [211PC249S0053](#) [211PC249S1053](#) [211PC249S8053](#) [211PC249S8005-B](#)  
[211PC249S0031-B](#) [211PC249S0020-B](#) [211PC249S1020B1-B](#) [211PC249S0020-B1-B](#) [211PC249S1053-B](#)  
[211PC249S0053-B](#)